

A125FC-RGL

Class 125

2"~12"



SPECIFICATION

RISING STEM · OUTSIDE SCREW AND YOKE

MSS SP-85 · FLANGED TO ANSI CLASS 125

PRESSURE / TEMPERATURE RATINGS

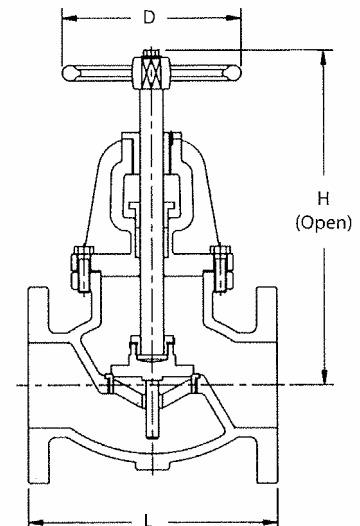
Working Pressure	200 psi
Testing Pressure	Shell : 350 psi Seat : 220 psi
Working Temperature	14 °F to 248 °F
Suitable Media	Water, Oil & Gas

MATERIALS

Part	Material	ASTM
Body	Cast Iron	A126 Class B
Bonnet	Cast Iron	A126 Class B
Disc	Gunmetal	B62 83600
Seat Ring	Gunmetal	B62 83600
Stem	Brass Stainless Steel	B16 C36000 AISI 420
Packing	Graphite	Non-Asbestos
Handwheel	Cast Iron	A126 Class B

DIMENSIONS

Size inch	L inch	H (Open) inch	D inch
2	8	3.2	7
2-1/2	8.5	12.9	7
3	9.5	13.5	8
4	11.5	15.2	10
5	13	16.6	12
6	14	20	12
8	19.5	22.8	13.7
10	24.5	26.9	16
12	27.5	33.6	18



Note:

1. Other specifications and flange standards are available upon request.
2. Design and specifications are subject to change without prior notice.